

## CAPS FOR MOUNTING RAILS



DATA SHEET  
ART. 9664-KAPPE40

# ART. 9664-KAPPE40

## TECHNICAL SPECIFICATIONS

<b>Material</b>	Plastic
<b>Quality</b>	Acrylnitril-Butadien-Sytrrol-Co-polymer (ABS)
<b>Colour</b>	Anthracite grey (RAL 7016)

## YOUR ADVANTAGES



LOW WEIGHT



GOOD RESITANCE AGAINST CHEMICAL SUB-STANCES



SOLID WEATHER RESISTANCE

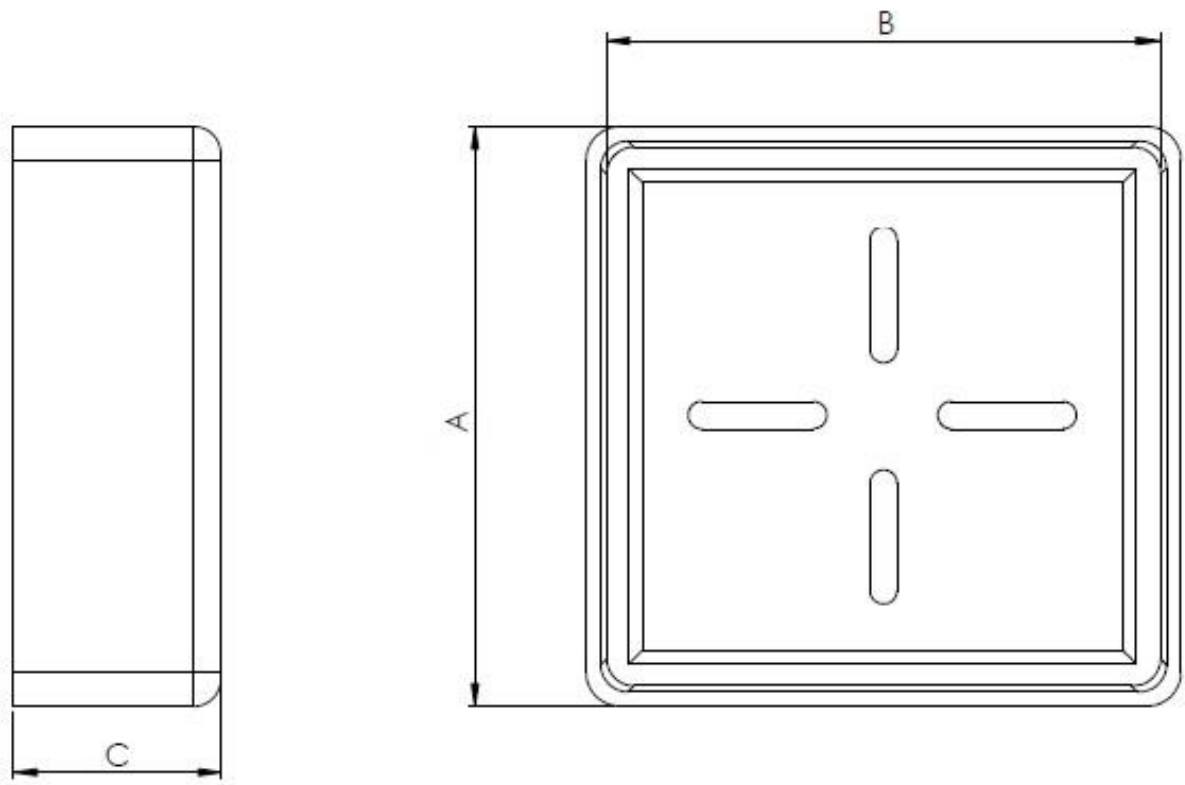
## PRACTICES



COVERING OF PV-PROFILES

WE'D BE PLEASED TO ADVISE WITH YOUR APLICATION.

# DIMENSIONS (MM)



A	43 mm
B	40 mm
C	15 mm

WE'D BE PLEASED TO ADVISE WITH YOUR APLICATION.